

EMPower Open Cupboard Base - 36"

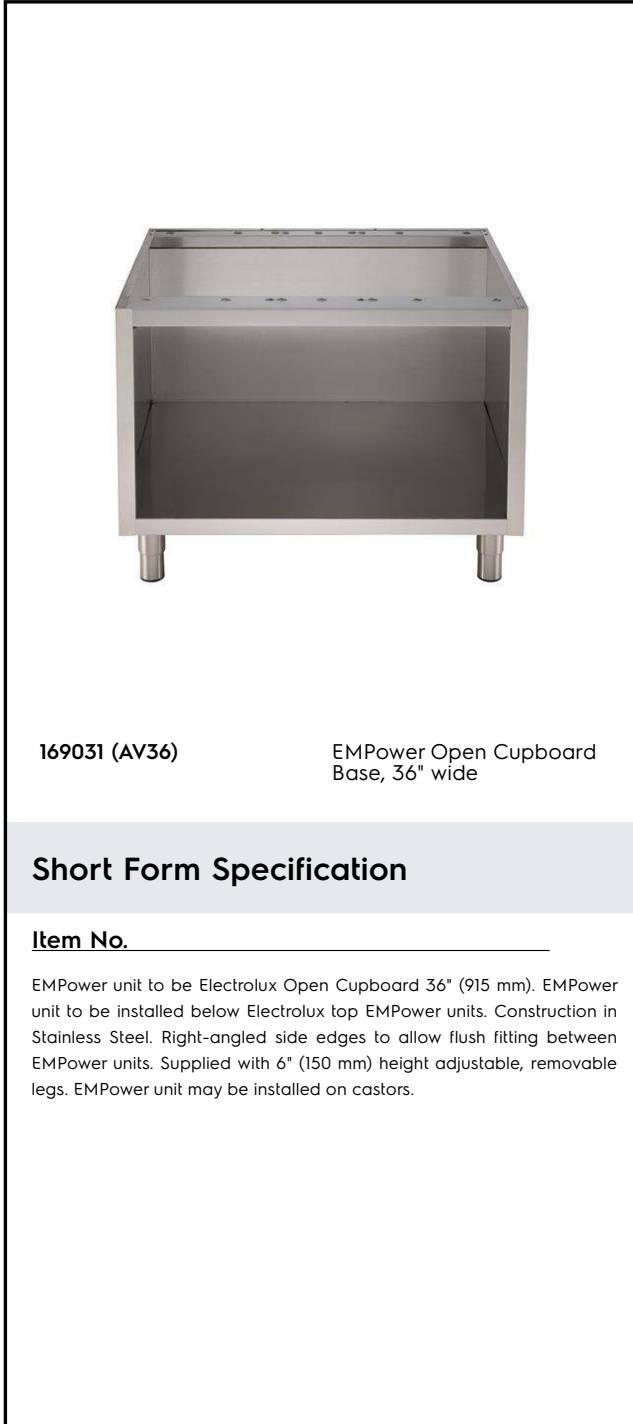
ITEM # _____

MODEL # _____

NAME # _____

SIS # _____

AIA # _____



Main Features

- Unit to be installed below Electrolux Professional top models.
- Right-angled side edges to allow flush fitting joints between units, eliminating gaps and possible dirt traps.
- Supplied with 6" (150 mm) height adjustable, removable legs.
- Unit may be installed on casters.
- Base compartment for storage of pots, pans, sheet pans, etc.
- Included Accessories: 4 pins for connection to top units.

Construction

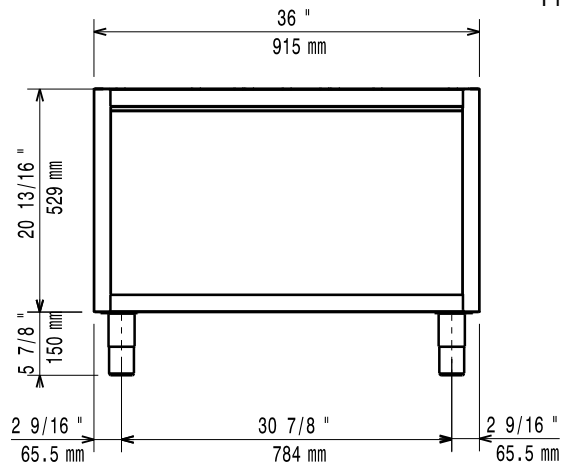
- Constructed in Stainless steel with Scotch Brite finish to meet the highest hygiene standards.
- Height adjustable feet.
- 4 screws to install top unit on the cupboard base are supplied with the top units.

Optional Accessories

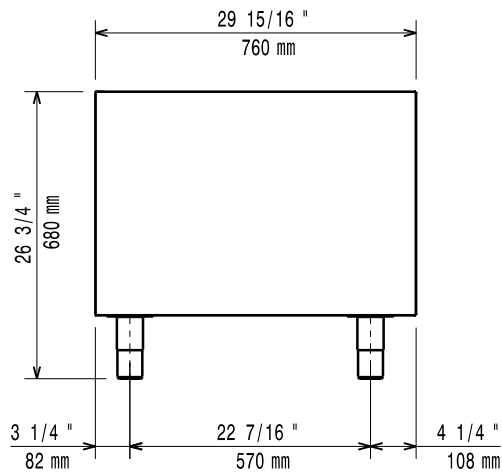
- Kit connecting bases - 2 plates and 2 wheels - 1 with brake. Suitable for pasta cookers, open bases and convection oven base PNC 169041
- EMPower kit of 2 side supports for shelf grids for 24" and 36" open cupboard bases PNC 169089
- EMPower shelf grid for 36" open cupboard base PNC 169092
- EMPower portioning shelf 12" PNC 169173
- EMPower portioning shelf 16" PNC 169174
- EMPower portioning shelf 24" PNC 169175
- EMPower portioning shelf 36" PNC 169176
- Kit 4 wheels - 2 swiveling with brake PNC 206135

APPROVAL: _____

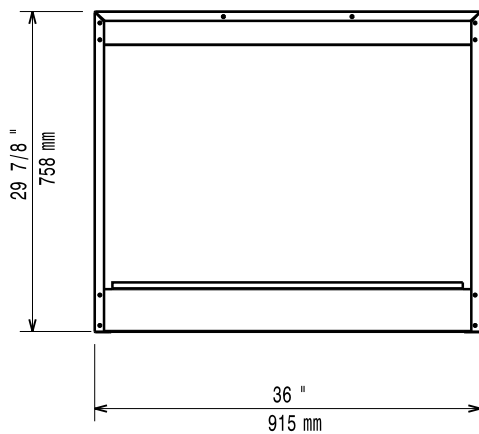
Front



Side



Top


Key Information:
External dimensions, Width:
169031 (AV36) 36 1/32" (915 mm)

External dimensions, Depth: 29 15/16" (760 mm)

External dimensions, Height: 26 11/16" (678 mm)

Net weight: 66 lbs (30 kg)

Shipping width: 35 7/16" (900 mm)

Shipping depth: 38 9/16" (980 mm)

Shipping height: 35 1/16" (890 mm)

Shipping weight: 104 lbs (47 kg)

Shipping volume: 27.72 ft³ (0.78 m³)